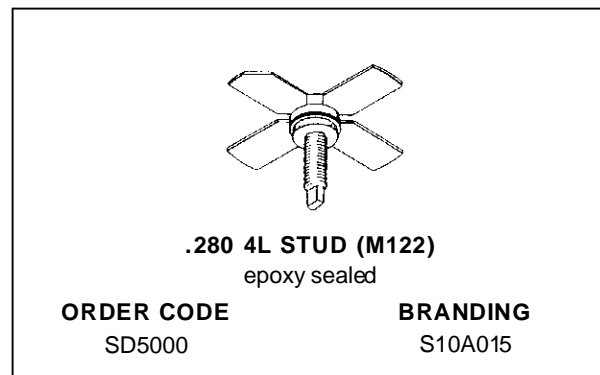


RF & MICROWAVE TRANSISTORS GENERAL PURPOSE LINEAR APPLICATIONS

PRELIMINARY DATA

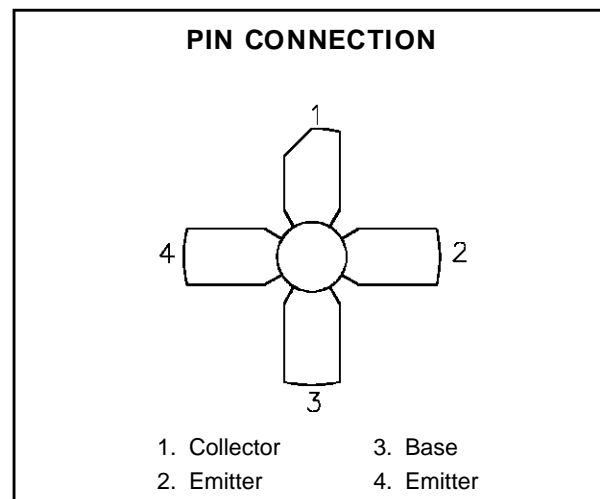
- GOLD METALLIZATION
- EMITTER SITE BALLASTING
- INTERNAL INPUT MATCHING
- OVERLAY GEOMETRY
- METAL/CERAMIC PACKAGE
- COMMON EMITTER CONFIGURATION
- $P_{OUT} = 1.5 \text{ W MIN. WITH } 9.5 \text{ dB GAIN}$


DESCRIPTION

The SD5000 is a NPN Silicon Transistor designed for high gain linear performance at 1000 MHz.

This part uses gold metallized die and polysilicon site ballasting to achieve high reliability and ruggedness.

The SD5000 can be used for applications such as Telecommunications, Radar, ECM, Space and other commercial and military systems.


ABSOLUTE MAXIMUM RATINGS ($T_{case} = 25^{\circ}\text{C}$)

Symbol	Parameter	Value	Unit
V_{CBO}	Collector-Base Voltage	50	V
V_{CES}	Collector-Emitter Voltage	50	V
V_{EBO}	Emitter-Base Voltage	3.5	V
I_C	Device Current	1.0	A
P_{DISS}	Power Dissipation	7.0	W
T_J	Junction Temperature	+200	$^{\circ}\text{C}$
T_{STG}	Storage Temperature	- 65 to +150	$^{\circ}\text{C}$

THERMAL DATA

$R_{TH(j-c)}$	Junction-Case Thermal Resistance	25	$^{\circ}\text{C/W}$
---------------	----------------------------------	----	----------------------

SD5000

ELECTRICAL SPECIFICATIONS ($T_{\text{case}} = 25^{\circ}\text{C}$)

STATIC

Symbol	Test Conditions	Value			Unit
		Min.	Typ.	Max.	
BV_{CBO}	$I_{\text{C}} = 10\text{mA}$	50	—	—	V
BV_{EBO}	$I_{\text{E}} = 5\text{mA}$	3.5	—	—	V
BV_{CES}	$I_{\text{C}} = 10\text{mA}$	50	—	—	V
BV_{CEO}	$I_{\text{C}} = 5\text{mA}$	23	—	—	V
I_{CBO}	$V_{\text{CB}} = 28\text{V}$	—	0.2	—	mA
h_{FE}	$V_{\text{CE}} = 5\text{V}$ $I_{\text{C}} = 100\text{mA}$	18	—	200	—

DYNAMIC

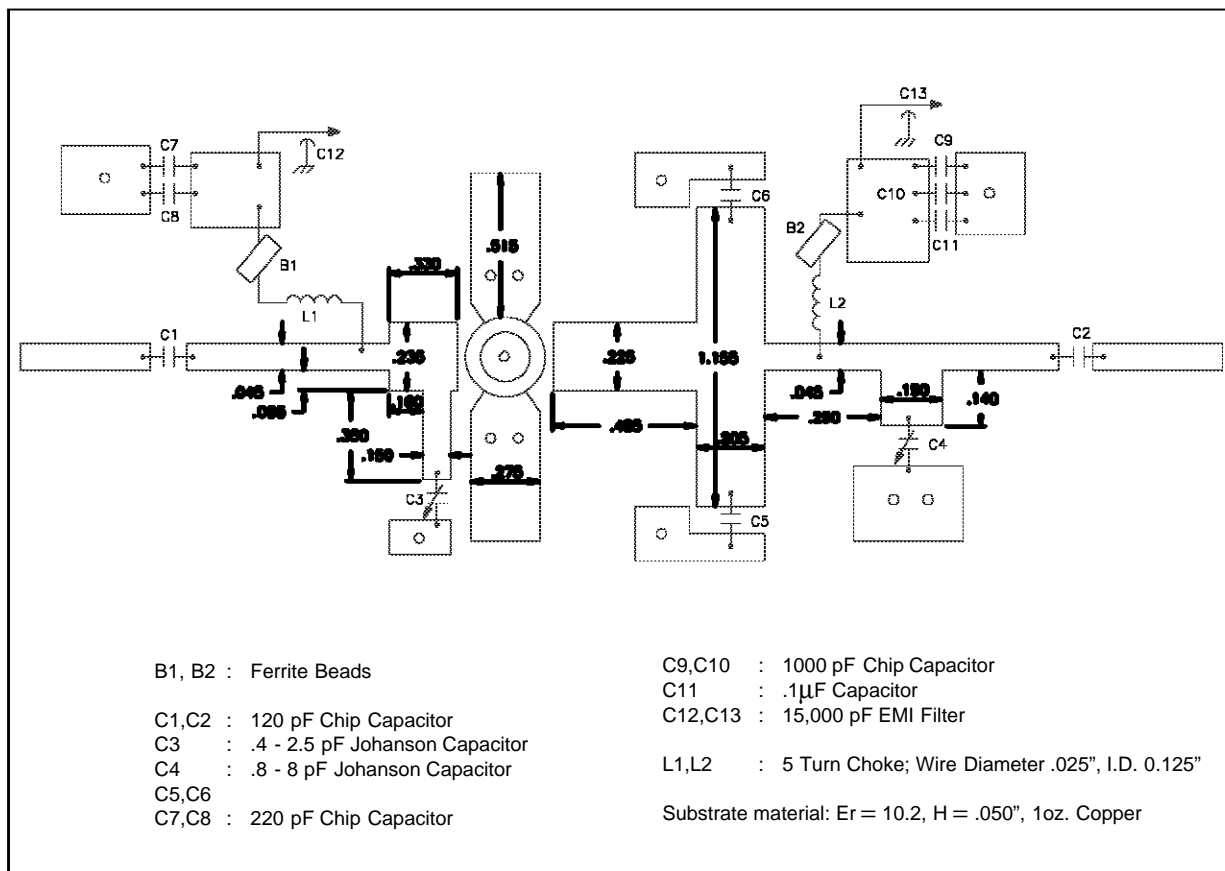
Symbol	Test Conditions	Value			Unit
		Min.	Typ.	Max.	
$P_{\text{OUT 1dB}}$	$f = 1\text{ GHz}$ $V_{\text{CC}} = 20\text{ V}$ $I_{\text{C}} = 220\text{ mA}$	1.5	—	—	W
G_{P}	$f = 1\text{ GHz}$ $V_{\text{CC}} = 20\text{ V}$ $I_{\text{C}} = 220\text{ mA}$	9.5	—	—	dB
VSWR	$f = 1\text{ GHz}$ $V_{\text{CC}} = 20\text{ V}$ $I_{\text{C}} = 220\text{ mA}$	—	—	25:1	—
C_{OB}	$f = 1\text{ MHz}$ $V_{\text{CB}} = 20\text{ V}$	—	—	4.0	pF

:

IMPEDANCE DATA

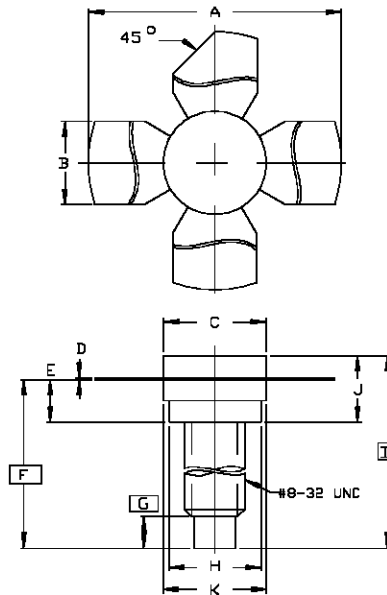
FREQ.	$Z_{IN} (\Omega)$	$Z_{CL} (\Omega)$
1000 MHz	$4.0 + j 3.3$	$20.8 + j 33.3$

TEST CIRCUIT



PACKAGE MECHANICAL DATA

Ref.: Dwg. No. 12-0122



SGS-THOMSON MICROELECTRONICS		
	MINIMUM Inches/mm	MAXIMUM Inches/mm
A	1.010/25,65	1.055/26,80
B	.220/5,59	.230/5,84
C	.270/6,86	.285/7,24
D	.003/0,08	.007/0,18
E	.117/2,97	.137/3,48
F	.572/14,53	
G	.130/3,30	
H	.245/6,22	.255/6,48
I	.640/16,26	
J	.175/4,45	.217/5,51
K	.275/6,99	.285/7,24

Information furnished is believed to be accurate and reliable. However, SGS-THOMSON Microelectronics assumes no responsibility for the consequences of use of such information nor for any infringement of patents or other rights of third parties which may results from its use. No license is granted by implication or otherwise under any patent or patent rights of SGS-THOMSON Microelectronics. Specifications mentioned in this publication are subject to change without notice. This publication supersedes and replaces all information previously supplied. SGS-THOMSON Microelectronics products are not authorized for use as critical components in life support devices or systems without express written approval of SGS-THOMSON Microelectronics.

© 1994 SGS-THOMSON Microelectronics - All Rights Reserved

SGS-THOMSON Microelectronics GROUP OF COMPANIES
 Australia - Brazil - France - Germany - Hong Kong - Italy - Japan - Korea - Malaysia - Malta - Morocco - The Netherlands -
 Singapore - Spain - Sweden - Switzerland - Taiwan - Thailand - United Kingdom - U.S.A